

# FC series Magnetic Reed sensor

CE  
Rohs

- ❖ Free voltage : AC/DC suitable  
交直流電兩用
- ❖ Wide voltage range : 5 ~ 240V  
廣泛工作電壓範圍 : 5 ~ 240V
- ❖ High capacity of contact : 10W  
高接點容量 : 10W
- ❖ High speed response time : 1 ms  
高速應答 : 1 ms
- ❖ Long life over  $10^7$  times  
壽命超過百萬次以上



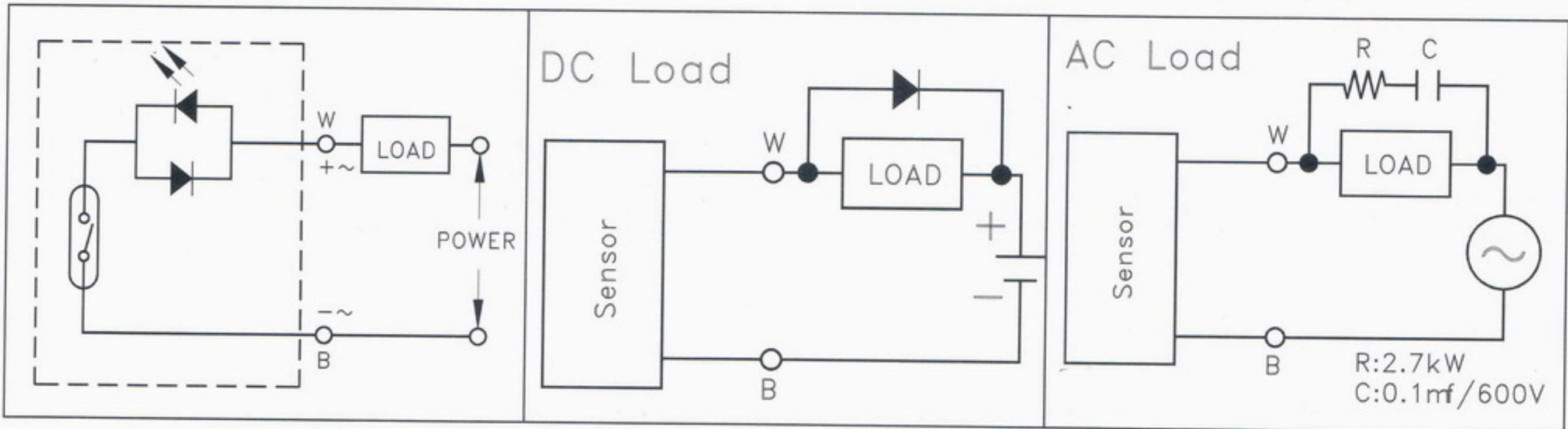
## ◆ Specification / 規格

Type	型式	Standard Type	Mini Type	T Type	M8 Type
Model	型號	<b>FC-1</b>	<b>FC-2</b>	<b>FC-3</b>	<b>FC-08</b>
Operating voltage	工作電壓	5 ~ 240 V AC/DC			
Rated current	額定電流	50 mA max.			
Rated wattage	額定功率	10W max.			
Output status	輸出狀態	NO			
Response Frequency	響應頻率	1 ms			
Voltage drop	輸出壓降	2V max.			
Connection method	出線方式	2m / 2 cores			
Vibration resistance	抗震動	10 ~ 55Hz / 1.5 mm ; 2 hours in X.Y.Z direction			
Operating circumstance	工作環境	-25°C ~ 70°C ; 35% ~ 85% RH			
Protection class	保護等級	IP-66	IP-64	IP-66	IP-67
Weight	重量	42g	33g	35g	55g

Standard Type	Mini Type	T Type	M8 Type

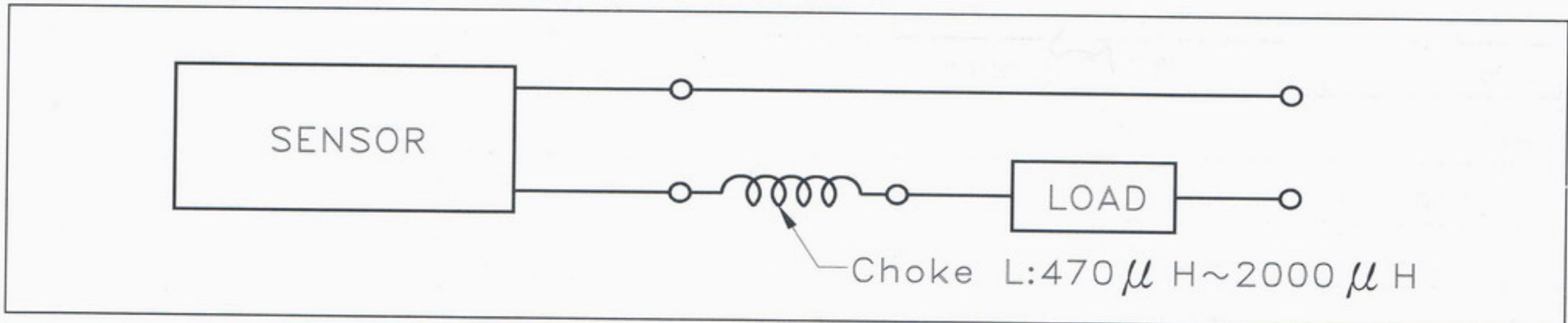


◆ Output circuit & Protection circuit / 輸出及保護回路



◆ Notice / 注意事項

If the lead wire of the Reed sensor is extended over 10m,  
Please series the choke to the reed sensor, as closure as possible.



◆ Fixed parts / 固定帶

Band  
PN-16-S

Material of cylinder  
S : Stainless steel  
A : Aluminum Ally

Diameter of cylinder  
16 :  $\phi 16.0$   
20 :  $\phi 20.0$   
:  
:  
150 :  $\phi 150.0$

Bracket Unit : mm

Model	A	B	C	D
PM-6	20.5	31.0	6.0	12.0
PM-8	20.5	34.0	8.0	12.0
PM-10	21.0	36.0	10.0	12.0