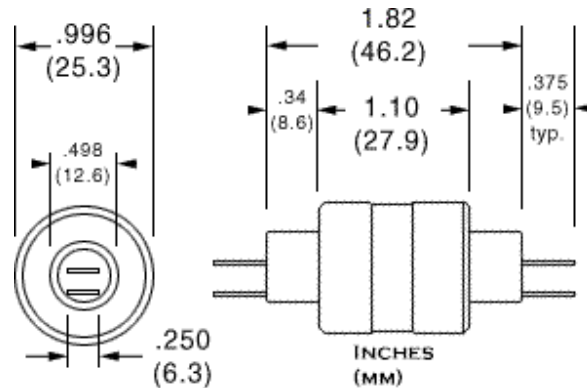


Slip Ring Commutators

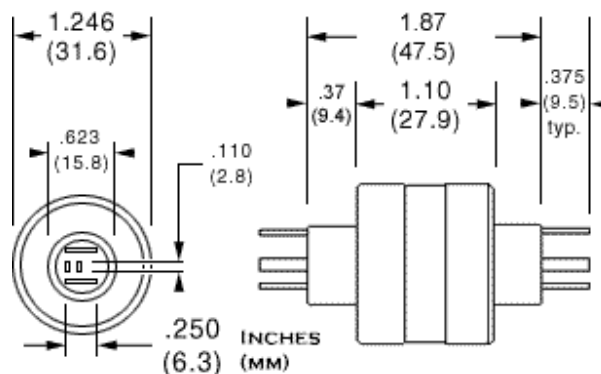
2 Pole 30 Amp @ 230 volt Rating



Model No.	Terminals	Voltage AC/DC	Amp Rating @240VAC	Max. Freq. MHz	Contact Resistance	Max. RPM	Temp Max. F (C) / Min. F (C)	Rotation Torque (gm-cm)	Circuit Separation
I-230-2	2	0-250	30	200	<1m Ω	1800	140 (60) /-20(-29)	200	>25M Ω
I-230-2-SS	2	0-250	30	200	<1m Ω	1800	140 (60) /-20(-29)	200	>25M Ω

"SS" designator indicates stainless steel ball bearing (recommended for wet or corrosive environments)

4 Pole 30 Amp @ 230 volt Rating



Model No.	Terminals	Voltage AC/DC	Amp Rating @240VAC	Max. Freq. MHz	Contact Resistance	Max. RPM	Temp Max. F (C) / Min. F (C)	Rotation Torque (gm-cm)	Circuit Separation
I-430-2	4	0-250	2@4/2@30	100	<1m Ω	1200	140 (60) /-20(-29)	400	>25M Ω
I-430-2-SS	4	0-250	2@4/2@30	100	<1m Ω	1200	140 (60) /-20(-29)	400	>25M Ω

"SS" designator indicates stainless steel ball bearing (recommended for wet or corrosive environments)